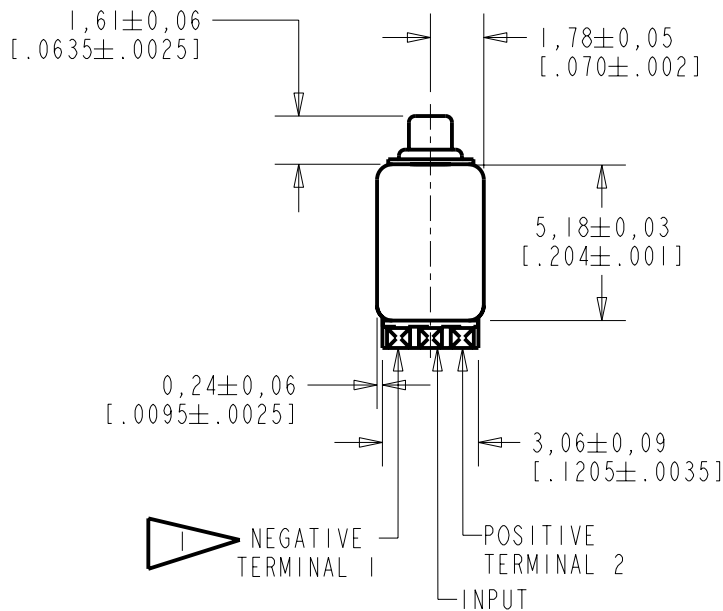
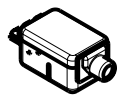
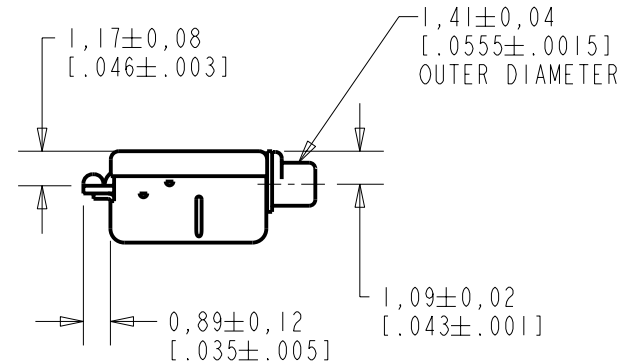
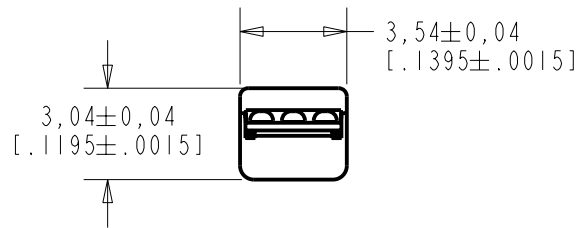


**ES-23127-000**  
SHT 1.1



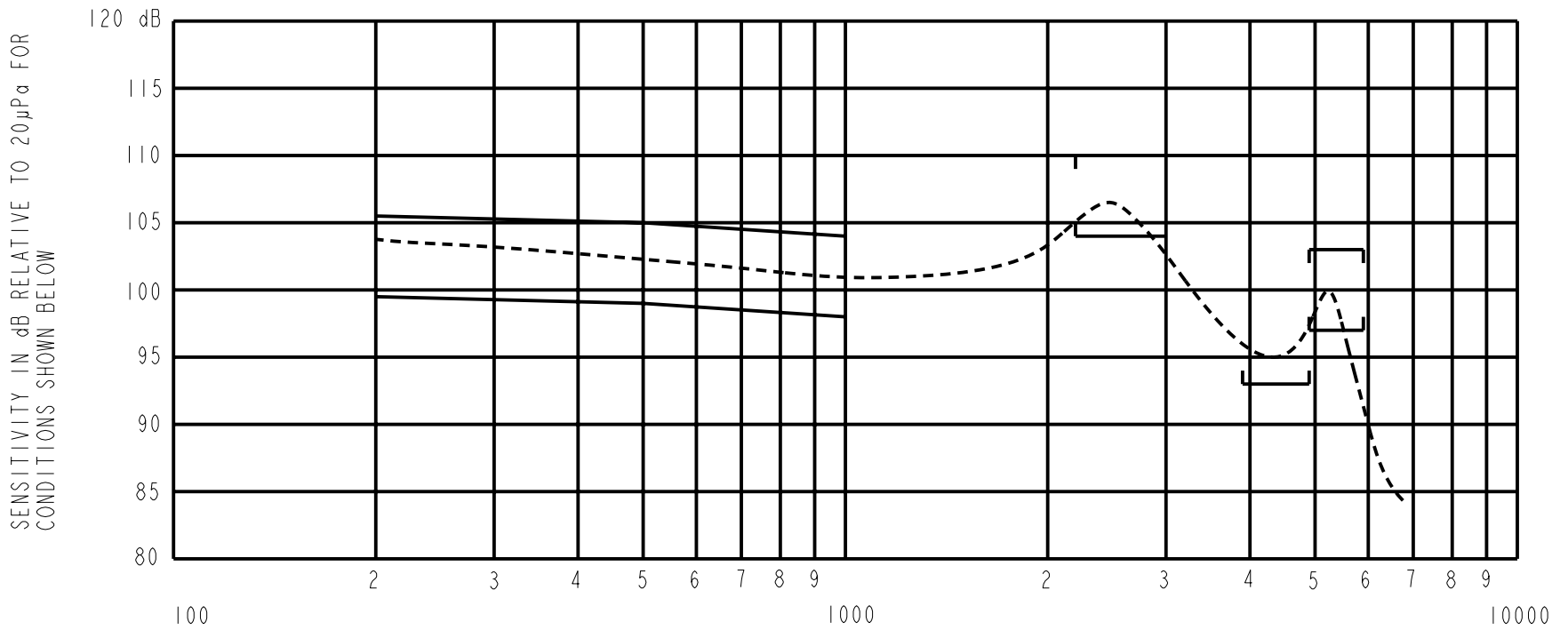
NOTE:  
A POSITIVE GOING VOLTAGE AT TERMINAL 2,  
RELATIVE TO TERMINAL 1, CAUSES A DECREASE  
IN PRESSURE AT THE SOUND OUTLET.



SCALE 2:1  
NOMINAL WEIGHT  
.23 GRAMS  
DIMENSIONS IN MILLIMETERS [INCHES]

**KNOWLES ELECTRONICS**  
ITASCA, ILLINOIS U.S.A.

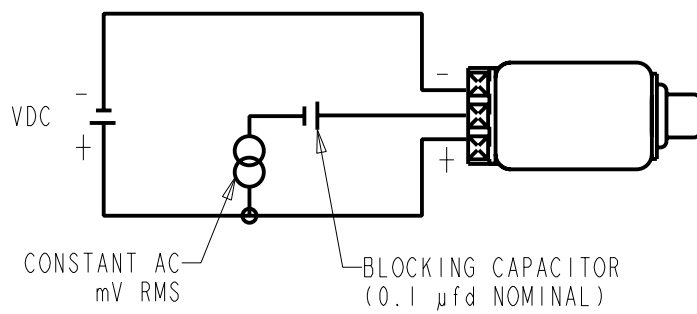
Revision	C.O. #	Implementation Date	RELEASE LEVEL	REVISION
			<b>Released</b>	<b>A</b>
A	CI0103509	12-13-05		
SCALE: <b>4:1</b>				
TITLE: <b>RECEIVER</b>			DR. BY DATE	
OUTLINE DRAWING			AB 12-13-05	
<b>ES-23127-000</b>			GJP 12-21-05	
<b>SHT 1.1</b>			APP. BY DATE	
			GJP 12-21-05	



NOTES:

FREQUENCY IN HERTZ

- MEASUREMENTS MADE USING 10mm (.394") OF 1mm (.039") ID TUBE CONNECTED TO A SIMULATED ANSI S3.7-1973 TYPE HA-3 COUPLER. (IEC 126)
- ELECTRICAL SIGNAL (SEE #5 BELOW).



FREQUENCY	SENSITIVITY	
	MIN.	MAX.
200	99.5	105.5
500	99.0	105.0
1000	98.0	104.0
2200-3000	104.5	110.5
3900-4900	93.0	---
4900-5900	97.0	103.0

- RESPONSE AND DISTORTION MEASUREMENTS MADE USING THE ELECTRICAL TEST CONDITIONS SHOWN BELOW.
- INDIVIDUAL SPECIFICATIONS.

PORT LOCATION	MAX. DC SUPPLY CURRENT, mA		DISTORTION		ELECTRICAL TEST CONDITIONS	
	VDC= 1.3±.02	VDC= 1.5±.02	MAX. %	FREQ Hz	CONSTANT AC mV RMS	VDC
12C	0.375	0.575	5	800	25±1	1.3±.02

Revision	C.O. #	Implementation Date	RELEASE LEVEL	REVISION
A	CI0103509	12-13-05	Released	A

WHEN TEST LIMITS ARE USED TO ESTABLISH INCOMING INSPECTION ACCEPTANCE/REJECTION CRITERIA, CORRELATION OF TEST EQUIPMENT WITH KNOWLES IS ALSO REQUIRED FOR ELIMINATION OF EQUIPMENT AND TEST METHOD VARIATION		DR. BY	DATE
TITLE: <b>RECEIVER</b> PERFORMANCE SPECIFICATION		AB	12-13-05
		GJP	12-21-05
ES-23127-000 SHT 2.1		APP. BY	DATE
		GJP	12-21-05

**KNOWLES ELECTRONICS**  
ITASCA, ILLINOIS U.S.A.